

# BUBLIING XL






TECHINICAL SPECIFICATIONS





## Expand the possibilities, raise the expectations.

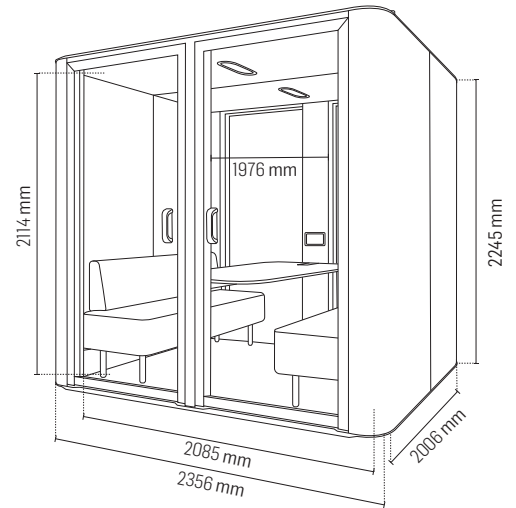
This model takes versatility to another level. It creates a serene environment for longer team meetings, offering functional equipment for presentations or strategic planning sessions.

-  A space for 6 people
-  Insonorização Classe A
-  Privacidade e conforto garantido
-  Ventilação e iluminação automática
-  Designed for PMR

## BUBLING XL | TECHNICAL SPECIFICATIONS

### GENERAL DESCRIPTION

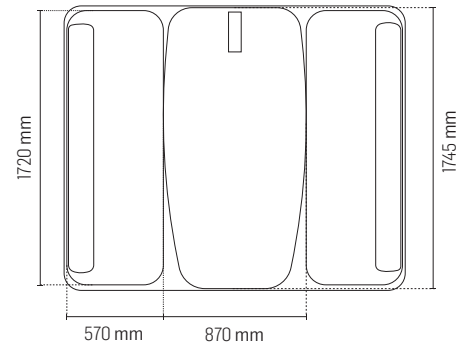
<b>Dimensions</b>	<p>Exterior: 2356x2006x2245 mm / 92,76x78,98x88,39 in            With Bubliling Fresh Air: Adicionais 50 mm / 1,97 in            Interior: 2085x1976x2114 mm / 82,09x77,80x83,23 in            Entrance height: 23 mm / 0,91 in            The door: 2134x949 mm / 83,90x37,36 in</p>
<b>Standard weight</b>	930 kg / 2059 lb
<b>Acoustic</b>	<p>Class A   DB,A &gt;30 dB            Guaranteed speech level reduction according to the ISO 23351-1 testing method, with one of the best ratings in the industry.</p>
<b>Fan airflow</b>	<p><b>Airflow:</b> 1121,6 m<sup>3</sup>/h (8 fans)            The air is renewed, on average, every 5,6 minutes.            The airflow can be manually adjusted.            In standby mode, the system activates for 10 minutes per hour.</p>
<b>Lighting</b>	<p><b>Ceiling light:</b> LED lighting with a temperature of 3500 K - 4000 K, providing up to 500 lux on the desk.            The lighting is automatic and can be manually adjusted.</p>
<b>Occupancy indicators</b>	LED sensor technology with red or green light indicator.
<b>Mobility</b>	<p>High-strength levelers adjustable from inside the booth.            The BUBLING is designed for people with limited mobility and wheelchairs. Ramp with an entrance of 780 mm / 30.71 in.</p>



### MATERIALS

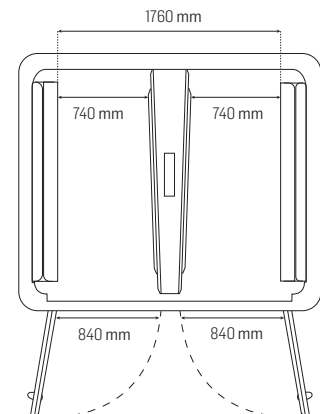
<b>Exterior</b>	<p><b>Exterior panels:</b> Made of thermocoated steel, replaceable in 10 available colors.  <b>Frame and door:</b> Made of aluminum coated in matte black RAL 9005, with an invisible pivot hinge.  <b>Handle:</b> Made of textured black polymer.  <b>Glass:</b> Clear acoustic glass, 8 mm / 0.31 in.</p>
-----------------	---

<b>Interior</b>	<p><b>Structure:</b> Metal frame, wood, and recycled acoustic foam.  <b>Upholstery:</b> 100% polyester fabric available in 12 colors.  <b>Flooring:</b> 100% polyamide carpet available in 4 colors.  <b>Table:</b> Top and lower box made of birch plywood covered with white, fingerprint-resistant black laminate, or wood imitation laminate.</p>
-----------------	---



<b>Standard furniture</b>	<p><b>Table dimensions:</b> 1745x870x730 mm / 68.70x34.25x28.74 in  <b>Table height:</b> 730 or 1050 mm / 28.74 or 41.34 in            Maximum load for the table is 50 kg / 110.23 lbs  <b>Sofa dimensions:</b> 1720x570x810 mm / 67.72x22.44x31.89 in            Sofa upholstered in 100% polyester fabric, available in 12 colors.  <b>Clothes hangers (2):</b> coated in textured black RAL 9005.</p>
---------------------------	---

<b>Options PMR</b>	<p><b>Retractable table:</b> 1745x850x730 mm / 68.70x33.46x28.74 in  <b>Retractable sofa:</b> 1720x570x490 mm / 67.72x22.44x19.29 in  <b>Support bars (2):</b> located on the door, inside, with a height of 850 mm / 33.46 in  <b>Protection plates (4):</b> for the door, inside and outside: 840x180 mm / 33.07x7.09 in</p>
--------------------	--



## BUBLIING XL | TECHNICAL SPECIFICATIONS

### SAFETY

---

Fire protection	All coating materials, upholstery, and acoustic materials used in our products are tested and classified according to national or international standards.  Fabrics: EN 13501-1 Adhered Class B, s1, d0 Foams: ISO 3795 Carpet: EN 13501-1 CfL – s1 Wood: EN 13986, Class D-s2, d0
Earthquake resistance	The BUBLIING can be supplied with a system that allows fixation to the floor, available for seismic regions.

### ENERGY

---

Electrical equipment	3x Schuko sockets - 230 V 1x USB-C port 1x USB-A port 1x RJ45 network socket Optional: HDMI port
Standard consumption	118 W
Standby consumption	0,74 W
Equipment power	AC output (electrical socket); 100-240 VAC, 16 A, 50-60 Hz.
Charger output	USB-C output 18 W

### EXTRA FEATURES

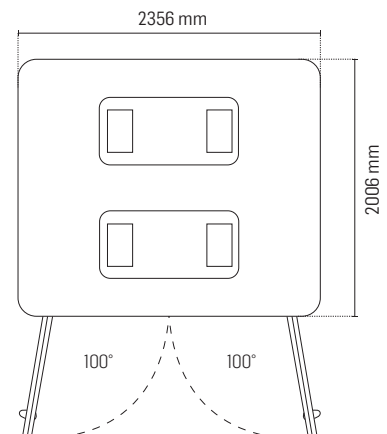
---

Opcionais	7-inch manual control screen.   Metal hydraulic air spring for door closure.   <b>Bubliing Fresh Air</b> system, non-adjustable and noise-free.   <b>Internal metal monitor support</b> with VESA mounting. Monitor not included. Maximum monitor size is 32/42 inches.   <b>Exterior whiteboard</b> 1594x910 mm / 62,76x35,83 in
-----------	---

### SPACE AND INSTALLATION

---

Required space	BUBLIING depth: 2006 mm / 78,98 in + Door opening of 100°. Minimum recommended space for air circulation above and on the sides: 150 mm / 5.91 in.
Installation space	A instalação requer 500 mm / 19,69 in de espaço livre ao redor da BUBLIING.
Assembly	Assembly time: 2 hours Number of people: 3 people



## BUBLIING XL | STANDARD FURNITURE



**LOW TABLE**  
1745x870x730 mm  
68,70x34,25x28,74 in

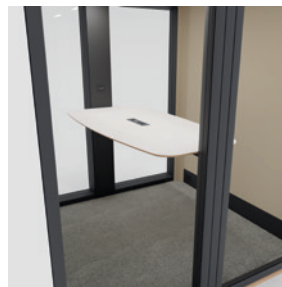


**SOFA**  
1720x570x810 mm  
67,72x22,44x31,89 in



**CLOTHES HANGERS**  
2 units

## BUBLIING XL | OPTIONAL FURNITURE



**HIGH TABLE**  
1745x870x1050 mm  
68,70x34,25x41,34 in

## BUBLIING XL | OPTIONAL PMR



**RETRACTABLE TABLE AND SOFAS**  
Table: 1745x850x730 mm /  
68,70x33,46x28,74 in.  
Sofas: 1720x570x490 mm /  
67,72x22,44x19,29 in.



**SUPPORT BARS**  
1 unit inside each door, at a height  
of 850 mm / 33,46 in de altura.



**PROTECTION PLATES**  
Inside and outside of the doors.  
840x180 mm / 33,07x7,09 in

## BUBLIING XL | STANDARD FEATURES



### CONNECTIVITY

3x tomadas normais Scuko - 230 V  
1x entrada USB-C  
1x entrada USB-A  
1x entrada RJ45



### DIMMER SWITCH

Intensity regulator for lighting and ventilation.



### OCCUPANCY INDICATOR

Tecnologia a sensore LED per esterni.  
2 unità.

## BUBLIING XL | OPTIONAL FEATURES



### AIR SPRING

Metal hydraulic for door.



### BUBLIING FRESH AIR

Non-adjustable system.  
Noise-free.



### CONTROL SCREEN

7-inch manual control.



### SOFA CUSHION

Covered with 100% polyester fabric.  
12 colors available.



### INTERNAL MONITOR SUPPORT

Monitor not included.  
Maximum size: 32/42 inches.



### EXTERNAL MONITOR SUPPORT

Monitor not included.  
Maximum size: 32/42 inches.



### EXTERNAL WHITE BOARD

1040x910 mm  
40,94x35,83 in



## BUBLIING XL | FINISHES





### INTERIOR FINISH

 Beige CSE01	 Light Blue CSE38
 Light Gray CSE41	 Navy Blue CSE40
 Charcoal Gray CSE13	 Coral Red CSE24
 Brown Beige CSE02	 Classic Red CSE29
 Tea Green CSE33	 Yellow CSE03
 Olive Green CSE34	 Mustard CSE31


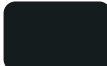
### EXTERIOR COATING

 White RAL 9003 MATE	 Dark Blue RAL 5001 MATE
 Light Gray RAL 9002 MATE	 Light Blue RAL 5014 MATE
 Dark Gray RAL 7039 MATE	 Dark Green RAL 6028 MATE
 Black RAL 9005 MATE	 Light Green RAL 6021 MATE
 Red Beige RAL 3012 MATE	 Beige RAL 1001 MATE

### INTERIOR FLOORING

 Beige 393100
 Brown 327260
 Dark gray 393350
 Light Gray 393300

### TABLETOP

 Plywood with white laminated	 Plywood with anti-fingerprint black laminated	 Plywood with oak laminated
---	---	---

Due to the different configurations of monitors and printers, the appearance of the finishes may vary from the actual finish. To ensure that the chosen finishes meet your expectations, please refer to physical samples or contact a BUBLIING representative.

WORK WELL, LIVE BETTER  
WITH **BUBLING XL**

[WWW.BUBLING.COM](http://WWW.BUBLING.COM)